

The

# Faversham

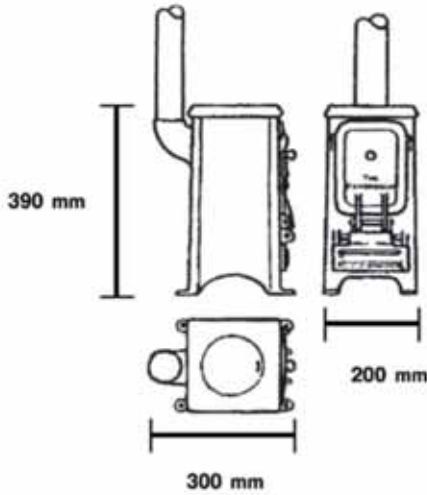
Compact Solid Fuel  
Cast Iron  
Cabin Stove



**Traditional Black  
Lead Finish**

weight approximately 30 kg  
with 25 mm fire bricks  
and 75 mm flue

Available with or without fiddle



Hinged  
(Type B)

**Chimneys**  
approx 18"  
Galvanised steel with a  
choice of two top fittings



Deck Flange  
& cap, Bronze



Deck Flange cap,  
Bronze



Deck Flange  
& cap, Gavanised



Deck Flange

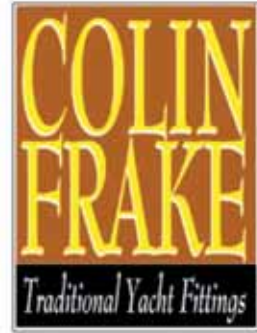


"The Coolie"  
(Type A)



**Flue Pipe**

75 mm outside diameter, mild steel and painted with heat resistant black paint



"The Faversham" solid fuel cast iron stove was designed specifically for narrow boats and sea going vessels. Its 25 mm fire bricks, top loading, and drop-down door features and its ability to be bolted down, make "The Faversham" a very attractive stove. Its ability to stay in for long periods of time makes it a "must".

The stove is finished in matt black heat resistant paint, as is the flue pipe which is sold in straight lengths or can be fabricated when an off-set is required.

Available with or without brass fiddle.

The best fuels we have found are smokeless, although the stove will burn ordinary household coal. Tests have shown that it is not suitable for charcoal.

COLIN FRAKE  
TRADITIONAL YACHT FITTINGS  
WOODGERS WHARF  
OTTERHAM CREEK OFF  
HORSHAM LANE  
RAINHAM  
KENT ME8 7XB

TEL: +44 (0)7968 041 322  
Email: sales@colinfrake.co.uk

**“The Faversham”  
Solid Fuel Cast Iron Cabin Stove**

Prices: March 2011

**ORDER FORM**

		unit cost	order
Please send me: “The Faversham” Cast Iron Cabin Stove in a traditional black lead finish		423.50	
Plus the following extras: Brass Fiddle Rail		32.50	
Deck Flange	Galvanised	40.00	
	Bronze	61.00	
Deck Flange Cap	Galvanised	34.00	
	Bronze	48.50	
Chimney	Type A	54.00	
	Type B	50.00	
Flue Pipe – 75mm outside diameter	per metre	19.00	
Fabricated Flue Pipe with offset	poa		
Packaging & Delivery to Mainland England & Wales for other areas and overseas please ask		27.50	
		total cost	
I enclose by cheque for a total of			
<p>note: all orders to be paid in sterling. No VAT applicable please make cheques payable to Colin Frake or call for bank transfer details please allow 28 days for delivery</p>			
name:			
address:			
postcode:		telephone:	
<p><i>please note:</i> it is essential that there is someone present when the stove is delivered to examine it in the presence of the carrier</p>			